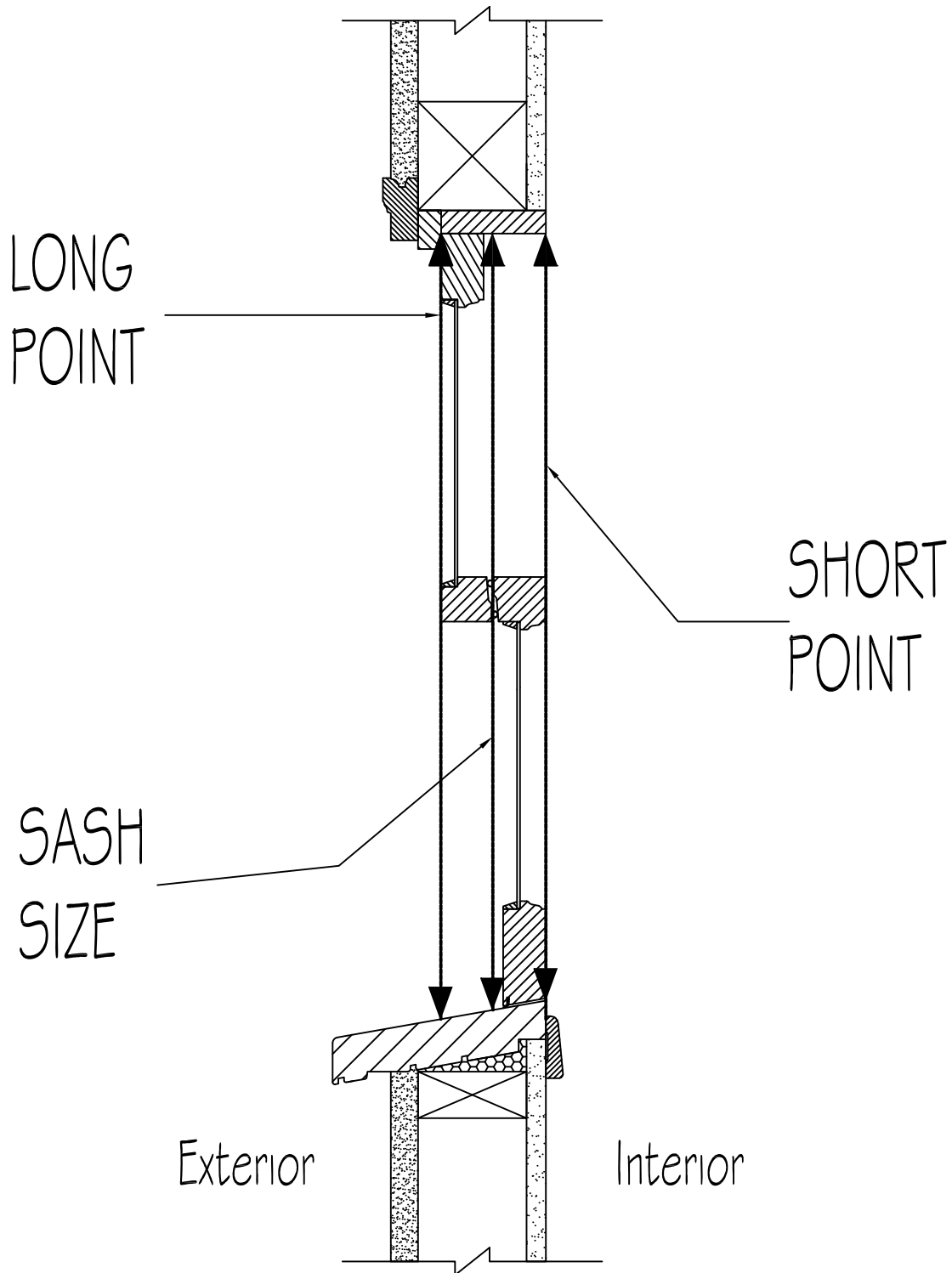


HOW TO MEASURE A DOUBLE HUNG TILT PAC



Please CIRCLE your points of measurement